



WS-64

Adapter



Features

- / Economical
- / Temperature decoupling
- / Various materials

Description:

The WS-64 is an adapter according to DIN 16281 for the installation of pressure measuring instruments. Using an adapter could make sense, wherever an instrument can not be connected directly to the pipe. This could be the case, when the plant offers not enough space or the operator wishes to observe all devices conveniently in one place. The WS-64 is also an economical, though not quite as effective, alternative to conventional cooling lines and can be used for temperature decoupling to protect heat-sensitive devices from radiated heat.

Application:

The adapter can be mounted, for example, with a wall-mounting bracket, in order to securely connect a pressure gauge with a hose or pipe. The various materials and connection sizes make the WS-64 versatile for application.



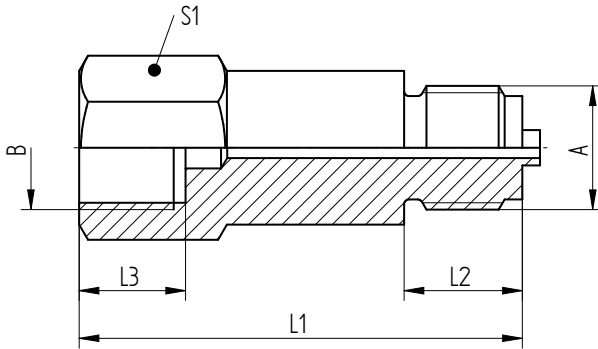
Technical Specifications:

Process connection /	G ½" or G ¼"
max. Pressure /	400 bar / brass 250 bar
max. Temperature /	
Brass:	120°C
Steel:	200°C
Stainless Steel:	200°C
Material /	
Body:	brass, steel, SS 1.4571

Ordering Codes:

Order Number	WS-64.	1.	2
WS-64 Adapter			
Process connection /			
1 = G ½"			
2 = G ¼"			
Material /			
1 = brass (G ½" only)			
2 = steel			
3 = stainless steel 1.4571			

Dimensions in mm:



Version	L1 / mm	L2 / mm	L3 / mm	S1
Brass G½"	75	20	18	27
Steel G¼"	69	13	11	27
Steel G½"	75	20	18	27
SS 1.4571 G¼"	69	13	11	27
SS 1.4571 G½"	75	20	18	27