



SR-61

Siphon



Features

/ Cost-effective

/ Up to 400°C

/ Up to 160 bar

/ Cooling-line and particle-filtration

Description:

Siphons can be used to protect pressure measuring devices, like pressure gauges, from high temperatures or pressure surges and pulsations. They are available with a straight, circular (DIN 16282 C) or U-shaped (DIN 16282 A) pipe with 90° turn.

Application:

The large surface of the tube will cool the media with the ambient air temperature. Flowing through multiple curves or a circle dampens pressure surges and keeps the pressure at the device constant. A siphon can be used for fluids, gases and even steam. It can be installed with a G 1/2" connection. The curvature of the pipe also helps to protect the device from particles, since these can be deposited here.



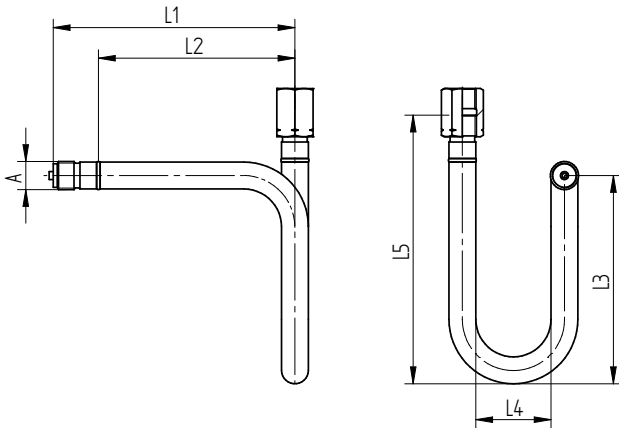
Technical Specifications:

Process connection /	G 1/2"
max. Pressure /	
at 120°C:	160 bar
at 300°C:	120 bar
at 400°C:	100 bar
Material /	
Body:	steel, SS 1.4571

Ordering Codes:

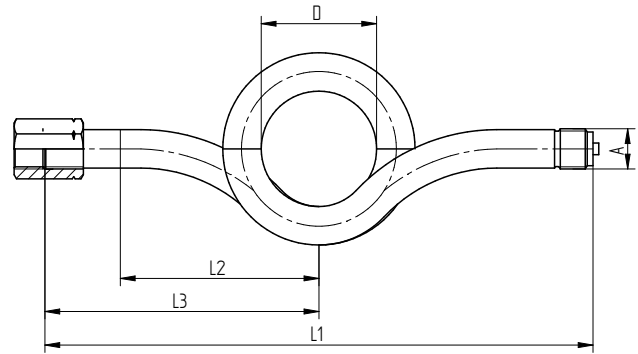
Order number	SR-61.	1.	2
SR-61 Siphon			
Style /			
1 = U-shape (DIN 16282 A)			
2 = U-shape long (DIN 16282 A)			
3 = circular (DIN 16282 C)			
Material /			
1 = steel			
2 = SS 1.4571			

Dimensions in mm (U-Shape):



Version	L1 / mm	L2 / mm	L3 / mm	L4 / mm	L5 / mm
Steel	180	145	155	56	200
Steel (long)	255	220	155	56	200
Stainless Steel	180	145	155	56	200
Stainless Steel (long)	255	220	155	56	200

Dim. in mm (circular):



Version	L1 / mm	L2 / mm	L3 / mm	D
Steel	275	95	130	56
Stainless Steel	275	95	130	56