



PT-07

Resistance thermometer for Ambient Temperatures



Features

- / Efficient temperature measuring
- / Surface mounted
- / IP66 protection for outside areas
- / Economic alternative

Description:

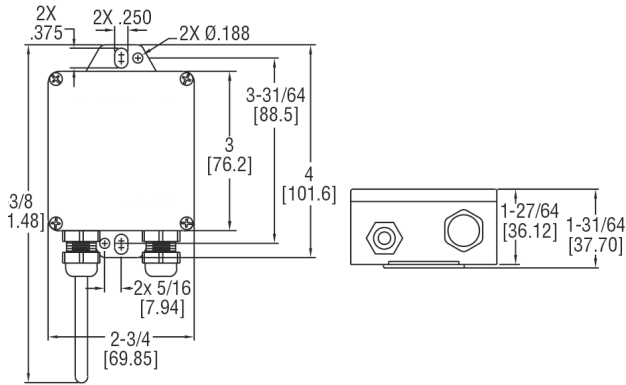
A Pt100 sensing resistor of accuracy class B is situated in a stainless steel tube, changing its ohmic resistance according to the room temperature present outside the measuring tube. This resistance value is tapped unaltered at the connecting terminals inside the wall-mounted housing of the PT-07, available as a 2-wire signal.

Application:

The resistance thermometer PT-07 supplies an easy way of measuring ambient temperatures and is best used within the fields of building- and climate-technologies. Whenever the room- or ambient-temperature is of concern for a process, it has to be measured accurately. The PT-07 offers a solution for that, while being very cost-effective but still resilient.



Dimensions in inch [mm]:



Technical Specifications:

Accuracy /	Thermistor temperature sensor: $\pm 0.22^{\circ}\text{C}$ @ 25°C ($\pm 0.4^{\circ}\text{F}$ @ 77°F); PT100 temperature sensor: DIN class B: $\pm 0.3^{\circ}\text{C}$ @ 0°C ($\pm 0.54^{\circ}\text{F}$ @ 32°F)
Operating temperature /	-40. . . +120 $^{\circ}\text{C}$
Probe diameter /	6 mm
Probe length /	88.9 mm
Probe material /	304 SS
Temperature sensor /	Pt100 Class B two wire DIN 385
Mounting /	Suspension or surface
Enclosure /	NEMA 4X (IP66)
Weight /	85 g

Ordering Codes:

Order number	PT-07.	1
PT-07 Resistance thermometer		
Version /		
1 = 10 k Ω thermistor, Type III		
2 = 10 k Ω thermistor, Type II		
3 = 3K Ω		
4 = Pt100 Ω RTD		
5 = Pt1000 Ω RTD		
6 = 20K Ω thermistor		