



# FS-01

## Float Switch

## Features

- / Easy to assemble
- / Cost-effective
- / No response lag
- / Maintenance-free
- / Reliable
- / High switching load

## Description:

The FS-01 series of float switch operates according to the principle of buoyancy. A hollow float is lifted by the raising level of fluid as long as a switching operation is triggered at an angle of 25° to the horizontal line. The switch can be suspended by means of a screw joint directly in the vessel or, in the case of open vessels, from above. The setpoint is determined by the weight that is always included in the delivery package. The FS-01 consists of an extremely rough, nearly unbreakable polypropylene float. The switch is, therefore, almost unsinkable even due to excessive mechanical stress.

## Application:

The FS-01 level switch is suited for level monitoring in fluids as in all types of industrial applications of direct pump controlling thanks to its high power rating. It can be used especially as control for MIN, MAX, FULL, EMPTY, OVERFILL and DRY-RUN.



## Technical Specifications:

<b>max. Pressure /</b>	3.5 bar
<b>max. Media temp. /</b>	85°C
<b>Float /</b>	PP
<b>Media density /</b>	0.7..1.15 g/cm <sup>3</sup>
<b>Float weight /</b>	200 g without cable
<b>Adjustable weight /</b>	250 g movable on cable
<b>Switching angle /</b>	± 25° to the horizontal line

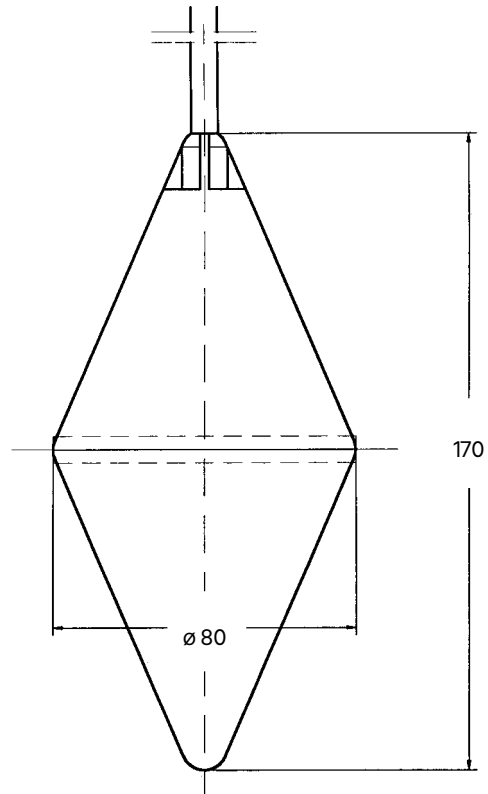
## Electrical Specifications:

<b>Contact /</b>	micro-switch as change-over contact 12, 24, 48 VAC/VDC and 250 VAC - 50/60 Hz 16 A (resistive), 6 A (inductive)
<b>Cable /</b>	3 x 1 mm <sup>2</sup> Neoprene or HR HY
<b>Cable weight /</b>	Neoprene 115 g/m, HR HY 110 g/m
<b>Protection class /</b>	IP 68

## Ordering Codes:

<b>Order number</b>	<b>FS-01.</b>	<b>1</b>
<b>FS-01 Float Switch</b>		
<b>Cable length /</b>		
1 = 5 m cable		
2 = 10 m cable		
specific lengths on request		

## Dimensions in mm:



## Electrical Connection:

