



BG-03

Flow Limiter for Large Quantities of Flow



Features

- / Regulation without ext. power supply
- / Power-saving
- / For diameters DN20 to DN100
- / For screw fitting in existing pipes
- / All-metal version
- / Brass or stainless steel material

Description:

The BG-03 series of flow limiters has been developed for limiting the flow of water-like media to a particular value. They ensure that the flow value does not exceed even during fluctuating forward or reverse pressures. In contrast to most of the devices of this type normally available in the market, the BG-03 limiters have a stainless steel spring element instead of the commonly used plastic membrane. As a result of the differential pressure occurring over the limiter, the spring element gets pressed more or less against the sealing surface of the housing. The split opening between the sealing surface and the spring varies continually. As a result of the enlargement of the split opening when the pressure falls or, as the case may be, its decrease when the pressure rises, the quantity of fluid passing through the device is maintained at a constant rate. A version for flanged installation is optionally available. In doing so, the BG-03 will be intermediated flange clamped (flanges/adapter not included).

Application:

These devices are used for all water-like media. They can be deployed in water distribution systems in the industry, in sanitary and car-washing installations and in sterilization and water treatment installations.



Technical Specifications:

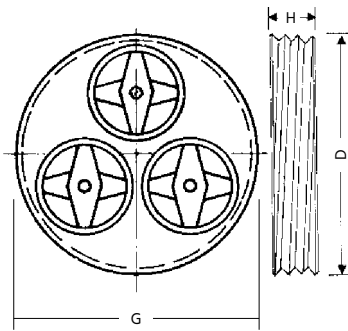
min. Regulating pressure / 2 bar

max. Differential pressure / 10 bar

max. Temperature / 200 °C

Accuracy / up to 2l/min ± 15%
up to 3l/min ± 10%

Dim. Threaded version:

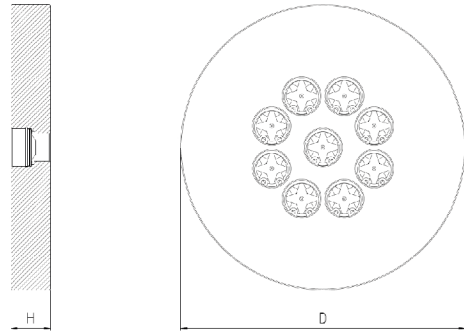


Version (G)	H	Q _{min} l/min	Q _{max} l/min	Weight (g)
¾"	12	1	30	25
1 ½"	12	3	90	104
2"	15	5	150	190
2 ½"	15	7	210	290
3"	15	9	270	375

Ordering Codes:

Order number	BG-03.	1.	3.	□□□□
BG-03 Flow limiter				
Material / 1 = brass (not for flange) 2 = stainless steel				
Size /				
1 = G ¾"	Threaded version			
2 = G 1 ½"				
3 = G 2"				
4 = G 2 ½"				
5 = G 3"				
10 = DN40	Flange version			
11 = DN50				
12 = DN65				
13 = DN80				
14 = DN100				
Flowrate / □□□ = in l/min. water (1-420 l/min.)				

Dim. Flange version:



mm Nom. Diameter	Stars	Pressure rate adapter flange	Flowrate l/min.		H mm	D mm
			min.	max.		
ND40	2	PN 16 / 300 lbs	2	60	19.1	95
ND50	4	PN 16	4	120	18.0	110
ND50	4	300 lbs	4	120	23.9	113
ND65	7	PN 16 / 300 lbs	7	210	23.9	130
ND80	9	PN 16	9	270	20.0	145
ND80	9	300 lbs	9	270	23.9	150
ND100	14	PN 16	14	420	20.0	165
ND100	14	300 lbs	14	420	23.9	182

Flowrates flange:

Flowrate for H₂O at 20 °C in l/min

Type	Q _{min}	Q _{max}
DN40	2	60
DN50	4	120
DN65	7	210
DN80	9	270
DN100	14	420

Flow quantities:

Various individual elements can be supplied for the following flow quantities:

1 - 420 l/min water in 1 l/min steps.

By adding several elements on one limiter disc, nearly any flow quantities can be achieved.