



AV-67

Manometer Gauge shut-off Valve according to DIN 16270 A & 16271 A



Features

/ Up to 400 bar and 200°C

/ Closing, opening and throttling

/ Additional test connector

Description:

This shut-off valve can also throttle the pressure in a pipe, instead of just opening and closing it. The AV-67 is, in its stainless steel version, very tough, and can resist pressures up to 400 bar and 200°C. An optional test connector can be used to replace measuring instruments or test the measurement result with another device, without removing it from the process or interrupting the actual operation.

Application:

Shut-off valves can be installed in front of devices operating only within a certain pressure range or a certain amount of media. This way, measuring devices can be started slowly and protected from pressure surges.



Technical Specifications:

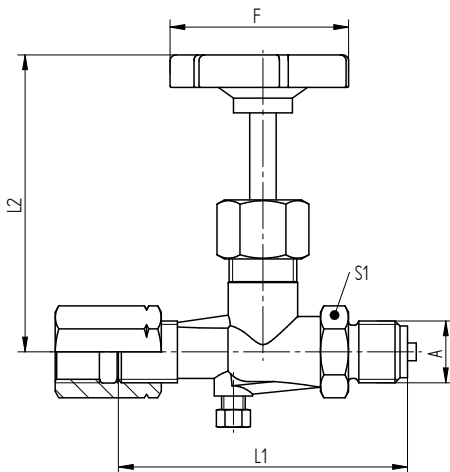
Process connection /	G 1/2"
max. Pressure /	400 bar; 250 bar (Brass)
max. Media temperature /	-10°C to 200°C; resp. -10°C to 120°C (Brass)
Materials /	
Seal:	Steel = Graphite Brass and SS = PTFE
Body:	Brass, Steel 1.0460, SS 1.4571
Handwheel:	Bakelit

When connecting to a Manometer, please use flat gaskets DIN 1625!

Ordering Codes:

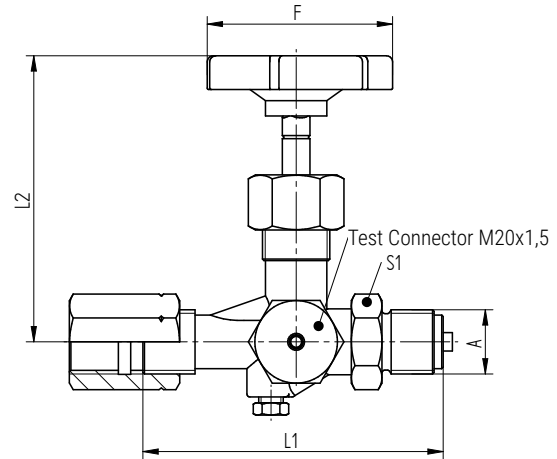
Order number	AV-67. B. 0
AV-67 Manometer Gauge shut-off Valve	
Version /	
A = 250 bar - 120 °C - Brass	
B = 400 bar - 120 °C - Steel 1.0460	
C = 400 bar - 200 °C - SS 1.4571	
Test Connector /	
0 = without (DIN 16270 A)	
9 = with test connector M20 x 1,5 (DIN 16271 A)	

Dimensions in mm:



Version	L1 / mm	L12 / mm	F / mm	S1
Brass	100	100	63	27
Steel 1.0460	100	94	63	27
SS 1.4571	100	94	63	27

Dimensions (test connector):



Variante	L1 / mm	L12 / mm	F / mm	S1
Brass	100	100	63	27
Steel 1.0460	100	94	63	27
SS 1.4571	100	94	63	27