

AH-65

Manometer Gauge Stopcock According to DIN 16262 A/B & 16263

Features

/ Monitor and vent the pipe

/ Brass or stainless steel

/ -10°C to 50°C

/ Up to 25 bar

Description:

A stopcock is used for the inlet, flow or outlet in pipes to control liquids and gases. Depending on the switch position, measuring devices can receive pressure (operating mode), or be relieved from it (de-pressuring mode). In the blow-out position, fluids and gasses can pass through the stopcock.

Application:

Stopcocks are available with or without an additional test connector (DIN 16263). This connector can be used for another measuring device, to test an installed pressure gauge. The stopcock can be installed via G $\frac{1}{4}$ " or G $\frac{1}{2}$ " threads.



Technical Specifications:

Process connection / G 1/2" or G 1/4"

max. Pressure /

G 1/2" Brass: 25 bar

G 1/2" SS: 16 bar

G 1/4" Brass: 6 bar

G 1/4" SS: 6 bar

max. Media temperature / -10°C to 50°C

Materials /

Body: Brass, SS 1.4571

Handle: PP

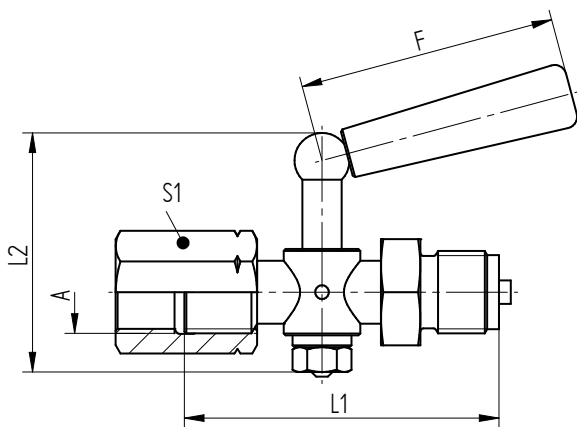
When connecting to a Manometer, please use flat gaskets DIN 1625!

Ordering Codes:

Order number	AH-65.	1.	2.	0
AH-65 Manometer Gauge Stopcock				
Connection /				
1 = G 1/2"				
2 = G 1/4"				
Material /				
1 = brass				
2 = stainless steel 1.4571				
Test Connector for G1/2" /				
0 = without (DIN 16262 A/B)				
9 = with Test Connector M20 x 1.5 (DIN 16263)				

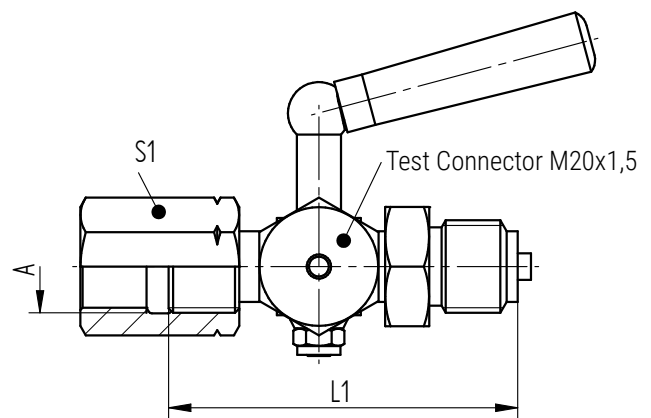
Please consider the pressure as indicated on the left.

Dimensions in mm:



Version	L1 / mm	L2 / mm	F / mm	S1
Brass G1/4"	55	39	28	17
Brass G1/2"	79,5	60	62	27
SS 1.4571 G1/4"	57	63	48	17
SS 1.4571 G1/2"	80	67	60	27

Dimensions (test connector):



Version	L1 / mm	S1
Brass	80	27
SS 1.4571	80	27