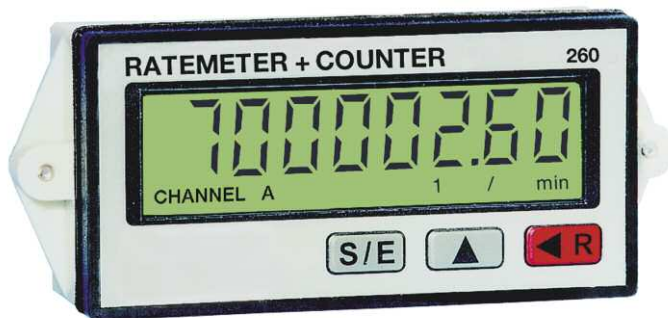




# TM-01

## Digital Display Device for Impulse Inputs



- **Compact design, 36 x 72 mm**
- **For all sensors with impulse output**
- **8-digit LCD display for volume/time and total volume**
- **Simple programming**
- **Voltage supply 24 V DC**

### Description:

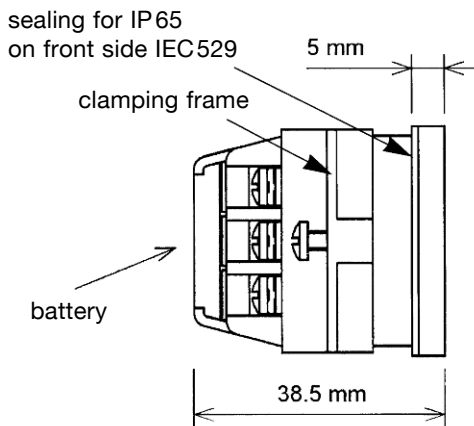
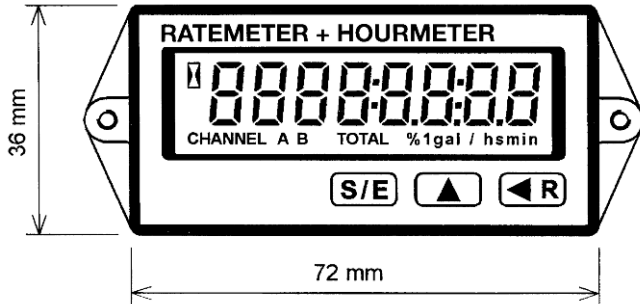
The TM-01 series of digital display device is intended for displaying process signals from any sensor with impulse output. The device is controlled by a microprocessor and, therefore, freely programmable. Just with a key press the display of volume/time unit can be changed over to total volume. The TM-01 can be conveniently customized to all sensor parameters through input of K factors and scaling factors. The compact and rugged unit is specifically designed for industrial use. The device can detect any pulse shape from 5 to 24 V DC. Programmable scale.

### Range of application:

The device is deployed for displaying flows, speeds, total volume, RPM and so on.

## Dimensions:

|                                 |  |
|---------------------------------|--|
| <b>Housing dimensions:</b>      | 36 x 72 x 38.5 mm (HxWxD)                                    |
| <b>Switching panel section:</b> | 33 x 68 mm (H x W)   |
| <b>Mounting:</b>                | Fixing frame, possible switching panel thickness 0.8 to 6 mm |
| <b>Panel Cut-out:</b>           | 33 x 68 mm DIN   |



## Electrical Connection:

6 screw terminal connections

|                   |                                     |
|-------------------|-------------------------------------|
| 1 = reset         | 4 = counter input A (volume / time) |
| 2 = 24 V DC input | 5 = counter input B (Total)         |
| 3 = ground        | 6 = programming input               |

## Ordering codes:

|   |                  |
|---|------------------|
| <b>Ordering number:</b>                   | <b>TM-01. A.</b> |
| Digital Display Device for Impulse Inputs |                  |

## Technical specifications:

|                               |   |
|-------------------------------|---|
| <b>Display:</b>               | 8-digit LCD, 10 mm height   |
| <b>Tachometer:</b>            | decimal point automatic   |
| <b>Counter:</b>               | decimal point programmable  |
| <b>Accuracy:</b>              | programmable, 0.1%, 1%, 10%, resolution accordingly min. 4-, 3- or 2-digit ± 1-digit  |
| <b>Voltage supply:</b>        | internal Lithium battery, 3.6V, 1.2 Ah, LCD background illumination with external power supply only<br>19 to 30 VDC   |
| <b>Protection class:</b>      | IP 65 on front side   |
| <b>Ambient temperature:</b>   | -10°C to +50 °C (when operating)<br>-20°C to +70 °C (on storage)  |
| <b>Inputs:</b>                |   |
| <b>Counter input A and B:</b> | Pulse shape any<br>programmed as „HIGH-SPEED“ input<br>» „High“ - active<br>$L \leq 1$ VDC, $H \geq 5$ VDC<br>max. voltage amplitude ± 30 VDC<br>max. frequency 10 kHz<br>min. pulse time 50 µs<br>min. pulse pause 50 µs<br>active edge: High/Low<br><br>programmed as „SLOW-SPEED“ input<br>» „Low“ - active<br>$L \leq 0$ VDC, $H \geq 5$ VDC or open<br>max. voltage amplitude ± 30 VDC<br>max. frequency 30 Hz<br>min. pulse time 16 ms<br>min. pulse pause 16 ms<br>active edge: Low/High |
| <b>Programming input:</b>     |   |
| Input open:                   | operating mode  |
| Input on ground:              | programming mode  |