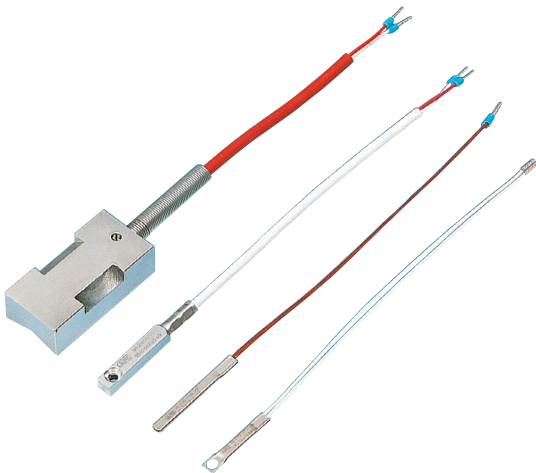




PT-00

Surface Resistance Thermometer



Features

- / Easy and fast assembly
- / For round and plane surfaces
- / Temp. range of -50. . . +260°C
- / Different protection fittings
- / Less thermal mass

Description:

The PT-00 series of resistance thermometers are surface temperature sensors on the basis of Pt100. Depending on the requirement, the devices can be supplied with permanent connecting cable or with housing and cable gland. A Pt100 temperature sensor is inserted into the protection fitting in 2-wire circuit which changes its ohmic resistance depending on the temperature. According to the version, the surface fittings are screw-mounted through a mounting hole or clamped by means of strap retainers to the surface to be measured. These thermometers are available in aluminium or stainless steel.

Application:

Thanks to their easy and fast assembly by means of strap retainers, hose band clips or screws, the PT-00 series of surface resistance thermometers well suited for a number of applications such as temperature measurement in closed pipelines as well as on plane surfaces. Since the temperature is measured indirectly, there is no interference with the process medium and, moreover, there is no or very less mechanical groundwork required at the location of measurement. The temperature transmitters in the PT-00 series are not affected by any operational pressure or chemical influences of the medium, thus ensuring their durability. Due to the less thermal mass of the PT-00, the object being measured is not at all affected which enormously simplifies a streamlined measurement of surface temperature.



Versions:

PT-00 Surface Resistance Thermometer

The PT-00 series of contact resistance thermometers is supplied with various fittings for screw-mounting or for fastening with strap retainers or hose clips. In PT-00.1 and PT-00.2 versions, the electrical connection is made through a clamp housing while, in all other versions, it is implemented through a 2.5 meter long cable that has silicon or PTFE sheathing depending the type of fittings.

Protection class: The various versions of PT-00 with clamp housing belong to the IP54 protection class as a standard. Optionally, IP65 protection class is also available.

Accessories: Installation kit (clamping band and thermal conductance paste) for pipes up to a max. diameter of 100 mm.

Technical Specifications:

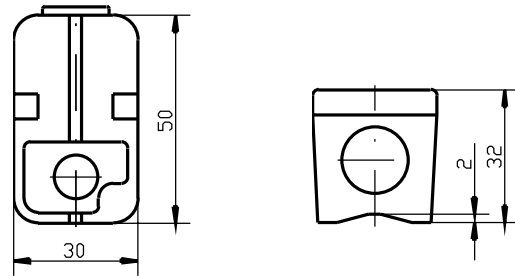
| | |
|-----------------------------|--------------------------------------------------------------------------------------------|
| Connection / | pipe ends Sn-plated, with wire sleeves |
| Connecting cables / | silicone, ambient temperature -50...+180°C PTFE, ambient temperature -50...+260°C |
| Sensor element / | Pt100 temperature sensor, DIN EN 60751, Cl. B, 2-wire |
| Protection fitting / | stainless steel 1.4571, aluminium, plastic |
| Process connection / | strap retainers, hose Binder or screw fastening |
| Cable length / | 2500 mm standard, special lengths on request |

Ordering Codes:

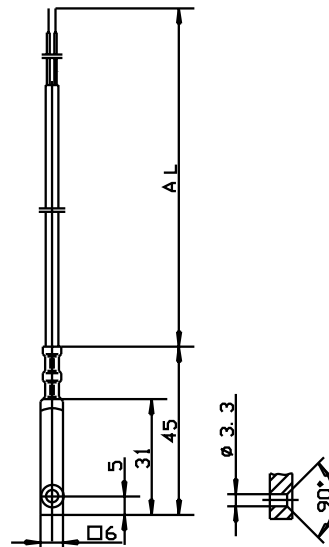
| | |
|---------------------------------------------------------------------------------------------------------------|-----------------|
| Order number | PT-00. 1 |
| PT-00 Surface Resistance Thermometer | |
| Version / | |
| 1 = tube contact sensor with clamp housing, (-50°C...+120°C) | |
| 2 = surface contact sensor with clamp housing, (-50°C...+120°C) | |
| 3 = with connecting cable PTFE, fixture hole, protective aluminium fittings (-190°C...+260°C) | |
| 4 = with connecting cable PTFE, fixture hole, protective stainless steel fittings (-190°C...+260°C) | |
| 5a = with connecting cable PTFE, no fixture hole, protective stainless steel fittings (-190°C...+260°C) | |
| 6 = with connecting cable Silicon, fixture by container strap, protective aluminium fittings (-50°C...+180°C) | |

Dimensions in mm:

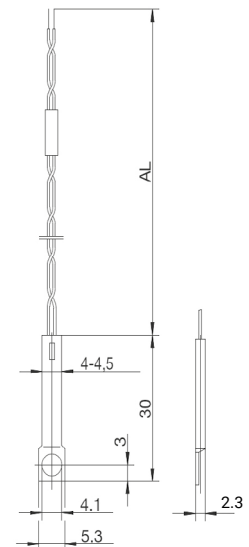
PT-00.1/2



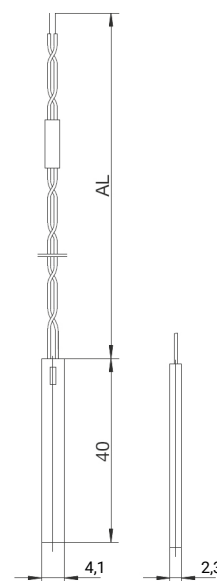
PT-00.3



PT-00.4



PT-00.5



PT-00.6

