



LS-20

Bypass Float Switch



- **Mounting outside the tank**
- **Freely selectable switching point by fixing the switch at the required height**
- **Aluminium or stainless steel versions**
- **Freely selectable contact function by a standard change-over contact**
- **Enables monitoring 100% full or empty levels**

Description:

The LS-20 series of bypass level switches consists of a standard float level switch that is mounted in an aluminium or stainless steel housing. The device is mounted sideways on the tank at a height as desired by the user and connected to the tank over tubes or pipe hoses. The fluid level in the tank and in the component, consisting of the level switch and the associated connecting pipes, is always at the same height according to the principle of communicating tubes. When the fluid level reaches the float situated in the level switch, it gets lifted up. A magnet mounted inside the float actuates a reed contact in the sliding tube. The signal originating from the reed contact is used for monitoring the level.

:

Range of application:

The LS-20 series of bypass level switches is used for monitoring level in tanks in which the space is insufficient for mounting an internal level switch or when a 100% monitoring of full or empty levels is required.

Versions:

Materials:

LS-20.1: aluminium housing
LS-20.2: stainless steel housing

Technical specifications:

Connection box:

aluminium 64 x 58 x 34 mm

Housing material:

LS-20.1: aluminium AIMg5
LS-20.2/3: stainless steel 1.4571

Sliding tube:

Ø 12 mm, stainless steel

Float:

Ø 44 mm, stainless steel

Side connections:

LS-20.1: Ermeto GE10-LR, steel zink-plated
LS-20.2: Ermeto GE10-LR, stainless steel
LS-20.3: welding studs, stainless steel

Distance from center:

M = 55 mm for LS-20.1
M = 80 mm to 1000 mm for LS-20.(2/3)

Function of contacts:

1 x change-over contact

Switching load:

40 VA, 230 VAC, 1 A or
20 W, 230 VDC, 0.5 A

max. Pressure:

LS-20.1: 1 bar (6 bar on request)
LS-20.2/3: 0.9 bar (up to 40 bar on request)

max. Temperature:

-30°C to +150°C
(up to +300°C on request)

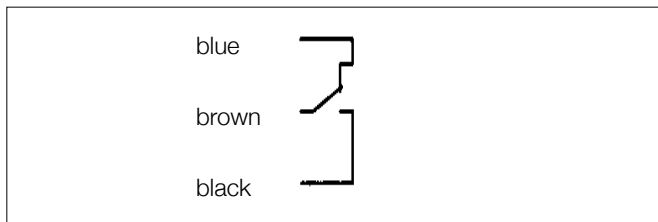
Protection class:

IP 65 as per EN 60529 / IEC 529

Mounting position:

vertical ± 30°

Electrical connection:



Ordering codes:

Ordering number:

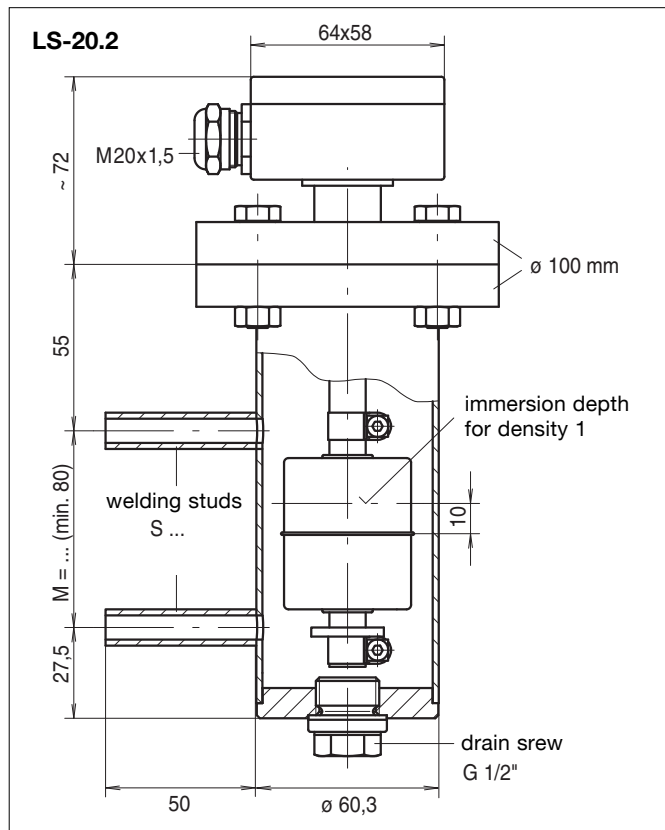
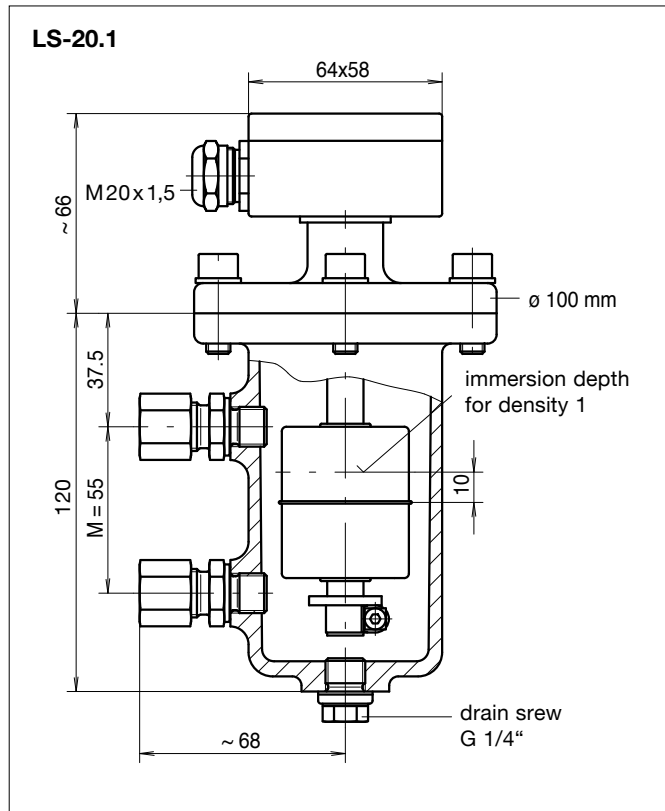
LS-20. 3.

Bypass Float Switch

Material and connection:

1 = aluminium housing, Ermeto joints, steel zink-plated
2 = stainless steel housing, Ermeto joints, stainless steel
3 = stainless steel housing, welding studs stainless steel

Dimensions:



Optionen:

for stainless steel version only:

- flange connection PN 16 bis PN 40
- female thread connections
- male thread connections
- up to four change-over contacts