



# GH-PM

## Mounting Enclosure for Magnehelic PM-2000



## Features

- / Robust enclosure made of ABS
- / Nonvolatile screws
- / Two bulkhead connectors
- / Protection class IP66

## Description:

Enclosures of GH-PM series are particularly designed for differential pressure indicators and switches of Magnehelic PM-2000 series. They allow a simple and safe wall mounting, professional wiring and offer two tight connections for both high and low pressure.

## Application:

Differential pressure indicators for low differential pressure ranges are used in many, many industrial applications and in health technology worldwide. Wherever no panel with the particular cutout for Magnehelics is present, or where the Magnehelic offers an additional analog or relay output, Profimess supplies the indicators pre-mounted in the enclosure GH-PM. The pressure and electronic connections will therefore stay clean, dry and protected against incorrect operation.



# Technical Specifications:

# Dimensions in mm:

**Dimensions (H x W x D)**

- small /** 160 x 120 x 90 mm (hole circle in the middle)
- large /** 240 x 160 x 120 mm

**Material /**

ABS

**Colour /**

RAL 7035, squirrel grey

**Protection class /**

IP 66 acc. to EN 60529  
(09.08 23 09: IP 65)

**Surface resistance /**

4 x 10<sup>14</sup> Ohm, IEC 60093

**Disruptive strength /**

24 KV/mm, IEC 60243-1

**Impact resistance /**

7 Joule acc. to EN 60079-0

**Insulation /**

fully insulated acc. to VDE 0100

**Flammability /**

UL 94 HB

**Toxicity /**

halogen-free

**Temperature /**

-40...+60°C

**Seal /**

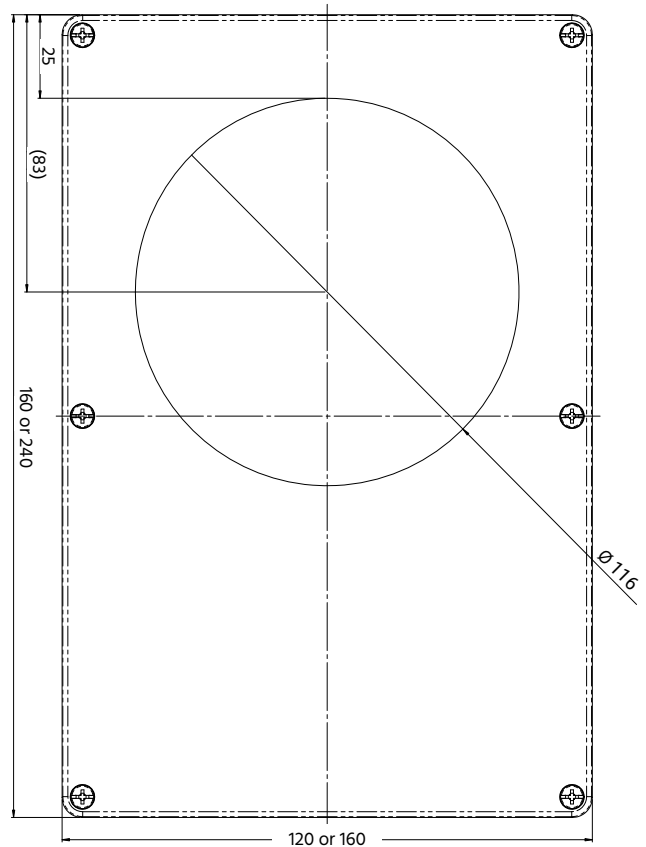
CR-(Chloropren)

**Bulkhead connections /**

brass nickel-plated 6 x 4 mm

**Cable glands /**

M16 x 1.5 for  
cable diameters 5-10 mm  
or  
M20 x 1.5 for  
cable diameters 8-13 mm



# Ordering Codes:

**Order number**

**GH-PM. G**

**GH-PM Mounting Enclosure**

**Size /**

- K = small
- G = large